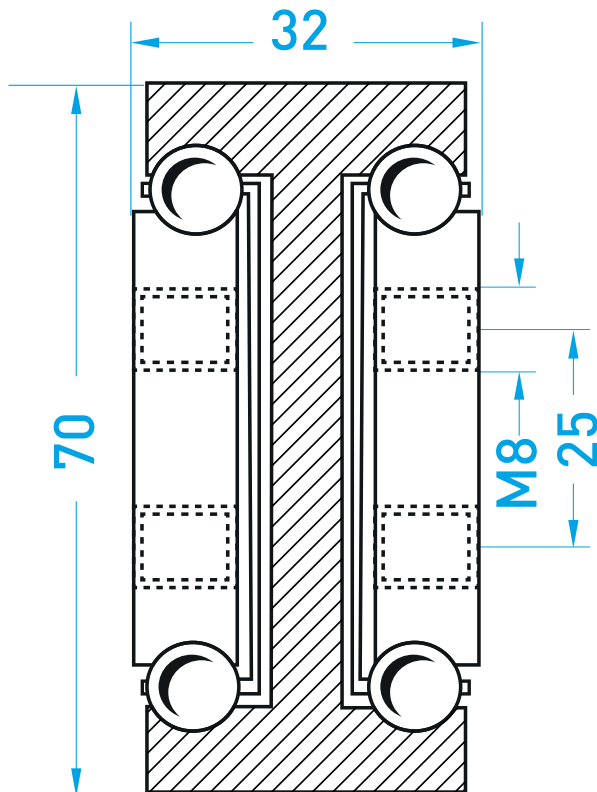
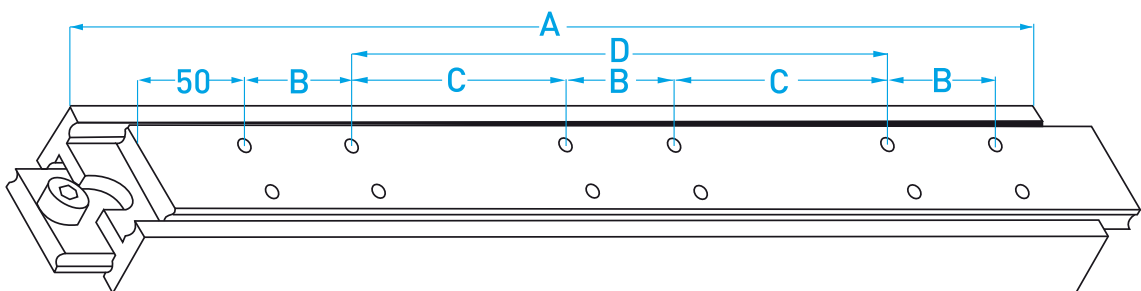


**MILUXOR****TELESKOPSCHIENEN**

IHR HERSTELLER FÜR TELESKOPSCHIENEN FÜR SCHWERE LASTEN

**MX-DTP 70****MX-DTP 70 Bohrbildtabelle**

| Artikl-Nr. | Maß A | Maß B | Maß C | Maß D |
|------------|-------|-------|-------|-------|
| DTP70.040  | 400   | 50    | ---   | 200   |
| DTP70.045  | 450   | 50    | ---   | 250   |
| DTP70.050  | 500   | 50    | ---   | 300   |
| DTP70.055  | 550   | 50    | ---   | 350   |
| DTP70.060  | 600   | 50    | ---   | 400   |
| DTP70.065  | 650   | 50    | 200   | ---   |
| DTP70.070  | 700   | 50    | 225   | ---   |
| DTP70.075  | 750   | 50    | 250   | ---   |
| DTP70.080  | 800   | 50    | 275   | ---   |
| DTP70.085  | 850   | 50    | 300   | ---   |
| DTP70.090  | 900   | 50    | 325   | ---   |
| DTP70.095  | 950   | 50    | 350   | ---   |
| DTP70.100  | 1000  | 50    | 375   | ---   |
| DTP70.105  | 1050  | 50    | 400   | ---   |
| DTP70.110  | 1100  | 50    | 425   | ---   |
| DTP70.115  | 1150  | 50    | 450   | ---   |
| DTP70.120  | 1200  | 50    | 475   | ---   |
| DTP70.125  | 1250  | 50    | 500   | ---   |
| DTP70.130  | 1300  | 50    | 525   | ---   |
| DTP70.135  | 1350  | 50    | 550   | ---   |
| DTP70.140  | 1400  | 50    | 575   | ---   |
| DTP70.145  | 1450  | 50    | 600   | ---   |
| DTP70.150  | 1500  | 50    | 625   | ---   |
| DTP70.155  | 1550  | 50    | 650   | ---   |
| DTP70.160  | 1600  | 50    | 675   | ---   |
| DTP70.165  | 1650  | 50    | 700   | ---   |
| DTP70.170  | 1700  | 100   | 650   | ---   |
| DTP70.175  | 1750  | 100   | 675   | ---   |
| DTP70.180  | 1800  | 100   | 700   | ---   |
| DTP70.185  | 1850  | 100   | 725   | ---   |
| DTP70.190  | 1900  | 100   | 750   | ---   |
| DTP70.195  | 1950  | 100   | 775   | ---   |
| DTP70.200  | 2000  | 100   | 800   | ---   |



Bis zu einer Einbaulänge von 600 mm  
entfallen die mittleren 4 Bohrungen