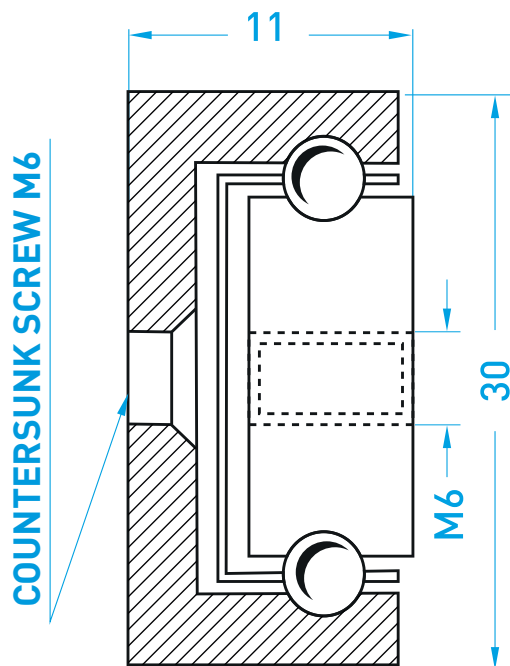


**MILUXOR****TELESKOPSCIENEN**

YOUR MANUFACTURER FOR TELESCOPIC RAILS FOR HEAVY LOADS

**MX-CP 30****MX-CP 30 load table**

Type: MX-CP 30 Article-No. MX -CP 30

Article No.	Installation length	Load in kg *
CP30.025	250	145
CP30.030	300	140
CP30.035	350	135
CP30.040	400	130
CP30.045	450	120
CP30.050	500	115
CP30.055	550	110
CP30.060	600	105
CP30.065	650	100
CP30.070	700	95
CP30.075	750	90
CP30.080	800	85
CP30.085	850	80
CP30.090	900	75
CP30.095	950	70
CP30.100	1000	60

**MX-CP 30 PART-EXTRACT**

The MX-CP 30- partially extending rails offers a high load capacity. Depending on the length, it is fastened by 2 or 3 M6 countersunk screws located in the middle of the U-profile. The inner rail is fastened by 4 or 6 M6 threaded holes.

**Extension length = installation length**

**Overall length = installation length + extension length**

\*Load per pair in extended position, even weight distribution and vertical installation.