

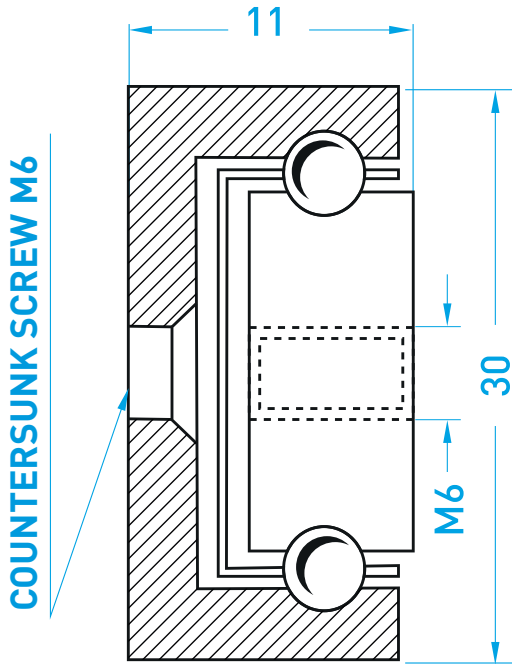
# MILUXOR

## TELESKOPSCHIENEN

YOUR MANUFACTURER FOR TELESCOPIC RAILS FOR HEAVY LOADS

# MX-CP 30

MX-CP 30 Drilling pattern table



Article No.	Dimension A	Dimension B	Dimension C	Dimension D	Dimension D
CP30.025	250	50	---	50	225
CP30.030	300	50	---	100	275
CP30.035	350	50	---	150	325
CP30.040	400	50	---	200	375
CP30.045	450	50	---	250	425
CP30.050	500	50	125	---	475
CP30.055	550	50	150	---	525
CP30.060	600	50	175	---	575
CP30.065	650	50	200	---	625
CP30.070	700	50	225	---	675
CP30.075	750	50	250	---	725
CP30.080	800	50	275	---	775
CP30.085	850	50	300	---	825
CP30.090	900	50	325	---	875
CP30.095	950	50	350	---	925
CP30.100	1000	50	375	---	975

