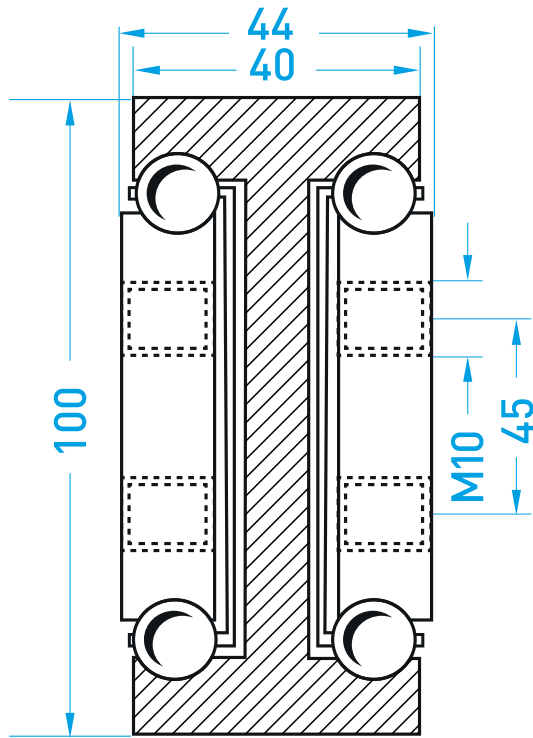


MILUXOR**TELESKOPSCIENEN**

YOUR MANUFACTURER FOR TELESCOPIC RAILS FOR HEAVY LOADS

MX-DTP 100**MX-DTP 100 load table**

Type: MX-DTP 100 Article-No. MX -DTP 100

Article No.	Installation length	Load in kg *
DTP100.080	800	880
DTP100.085	850	900
DTP100.090	900	920
DTP100.095	950	940
DTP100.100	1000	960
DTP100.105	1050	980
DTP100.110	1100	1000
DTP100.115	1150	980
DTP100.120	1200	960
DTP100.125	1250	940
DTP100.130	1300	920
DTP100.135	1350	900
DTP100.140	1400	880
DTP100.145	1450	860
DTP100.150	1500	840
DTP100.155	1550	820
DTP100.160	1600	800
DTP100.165	1650	780
DTP100.170	1700	760
DTP100.175	1750	740
DTP100.180	1800	720
DTP100.185	1850	700
DTP100.190	1900	680
DTP100.195	1950	660
DTP100.200	2000	650

MX-DTP 100 FULL-EXTRACT

The MX-DTP 100 fully extending rails offers very high load capacity. The attachment is made by 12 threaded holes M10.

Extension length = installation length

Overall length = installation length + extension length

Other lengths on request

*Load per pair in extended position, even weight distribution and vertical installation.