

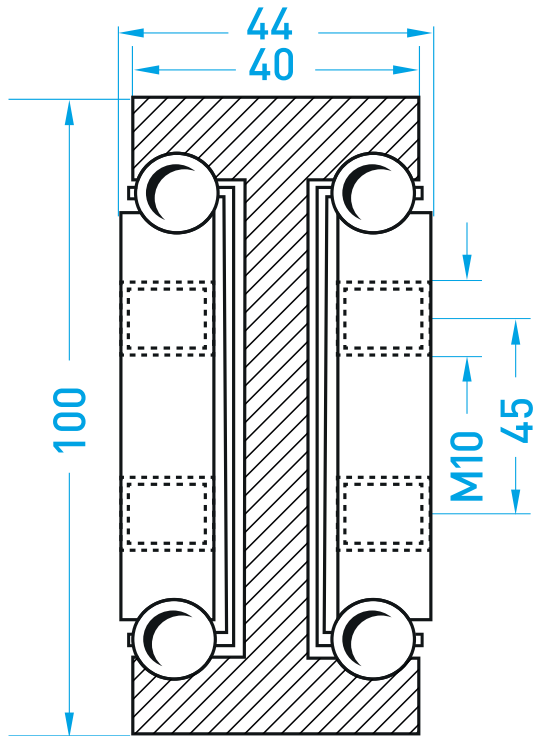
# MILUXOR

## TELESKOPSCHIENEN

YOUR MANUFACTURER FOR TELESCOPIC RAILS FOR HEAVY LOADS

# MX-DTP 100

MX-DTP 100 Drilling pattern table



Article No.	Dimension A	Dimension B	Dimension C	Dimension D
DTP100.080	800	100	150	---
DTP100.085	850	100	175	---
DTP100.090	900	100	200	---
DTP100.095	950	100	225	---
DTP100.100	1000	100	250	---
DTP100.105	1050	100	275	---
DTP100.110	1100	100	300	---
DTP100.115	1150	100	325	---
DTP100.120	1200	100	350	---
DTP100.125	1250	100	375	---
DTP100.130	1300	100	400	---
DTP100.135	1350	100	425	---
DTP100.140	1400	100	450	---
DTP100.145	1450	100	475	---
DTP100.150	1500	100	500	---
DTP100.155	1550	100	525	---
DTP100.160	1600	100	550	---
DTP100.165	1650	100	575	---
DTP100.170	1700	100	600	---
DTP100.175	1750	100	625	---
DTP100.180	1800	100	650	---
DTP100.185	1850	100	675	---
DTP100.190	1900	100	700	---
DTP100.195	1950	100	725	---
DTP100.200	2000	100	750	---
DTP100.300	3000	100	1250	---

