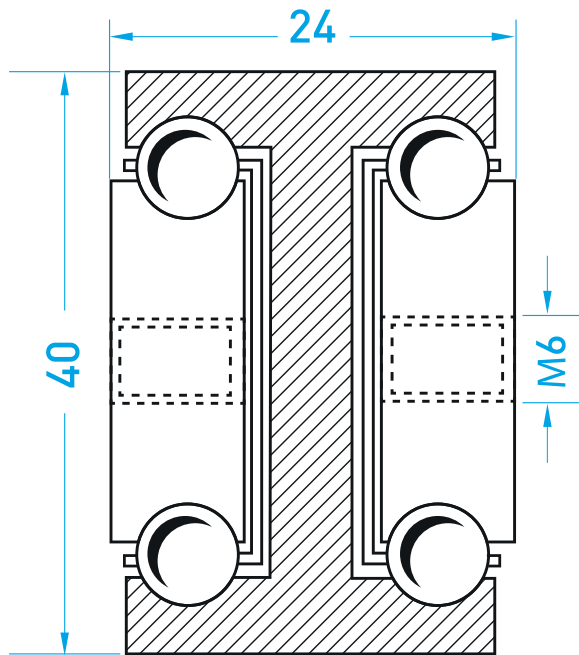


MILUXOR**TELESKOPSCHIENEN**

YOUR MANUFACTURER FOR TELESCOPIC RAILS FOR HEAVY LOADS

MX-DTP 40**MX-DTP 40 Drilling pattern table**

Article No.	Dimension A	Dimension B	Dimension C	Dimension D
DTP40.030	300	50	---	100
DTP40.035	350	50	---	150
DTP40.040	400	50	---	200
DTP40.045	450	50	---	250
DTP40.050	500	50	---	300
DTP40.055	550	50	150	---
DTP40.060	600	50	175	---
DTP40.065	650	50	200	---
DTP40.070	700	50	225	---
DTP40.075	750	50	250	---
DTP40.080	800	50	275	---
DTP40.085	850	50	300	---
DTP40.090	900	50	325	---
DTP40.095	950	50	350	---
DTP40.100	1000	50	375	---

