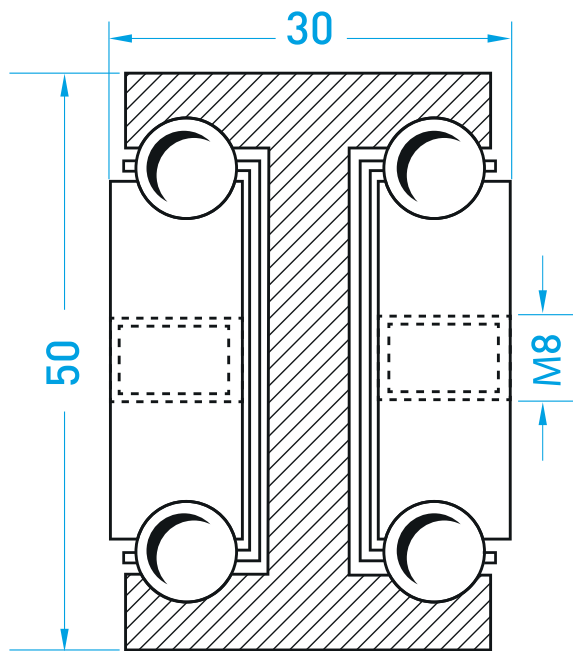


**MILUXOR****TELESKOPSCIENEN**

YOUR MANUFACTURER FOR TELESCOPIC RAILS FOR HEAVY LOADS

**MX-DTP 50****MX-DTP 50 load table**

Type: MX-DTP 50    Article-No. MX -DTP 50

Article No.	Installation length	Load in kg *
DTP50.030	300	300
DTP50.035	350	310
DTP50.040	400	320
DTP50.045	450	330
DTP50.050	500	350
DTP50.055	550	380
DTP50.060	600	400
DTP50.065	650	395
DTP50.070	700	390
DTP50.075	750	385
DTP50.080	800	380
DTP50.085	850	375
DTP50.090	900	370
DTP50.095	950	365
DTP50.100	1000	360
DTP50.105	1050	355
DTP50.110	1100	350
DTP50.115	1150	345
DTP50.120	1200	340
DTP50.125	1250	335
DTP50.130	1300	330
DTP50.135	1350	325
DTP50.140	1400	320

**MX-DTP 50 FULL-EXTRACT**

The MX-DTP 50 fully extending rails offers high load capacity in a small footprint. The attachment is made according to length by 4 or 6 located in the middle M8 threaded holes.

**Extension length = installation length**

**Overall length = installation length + extension length**

**Other lengths on request**

\*Load per pair in extended position, even weight distribution and vertical installation.