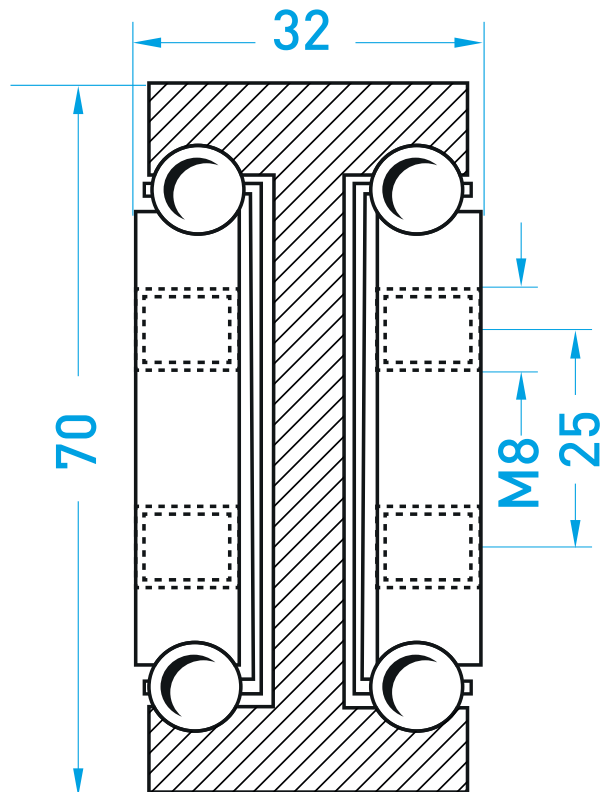


MILUXOR**TELESKOPSCIENEN**

YOUR MANUFACTURER FOR TELESCOPIC RAILS FOR HEAVY LOADS

MX-DTP 70**MX-DTP 70 load table**

Type: MX-DTP 70

Article-No. MX -DTP 70

Article No.	Installation length	Load in kg *
DTP70.040	400	400
DTP70.045	450	410
DTP70.050	500	420
DTP70.055	550	430
DTP70.060	600	440
DTP70.065	650	450
DTP70.070	700	500
DTP70.075	750	550
DTP70.080	800	560
DTP70.085	850	580
DTP70.090	900	600
DTP70.095	950	620
DTP70.100	1000	650
DTP70.105	1050	660
DTP70.110	1100	660
DTP70.115	1150	650
DTP70.120	1200	640
DTP70.125	1250	620
DTP70.130	1300	600
DTP70.135	1350	580
DTP70.140	1400	560
DTP70.145	1450	540
DTP70.150	1500	520
DTP70.155	1550	500
DTP70.160	1600	480
DTP70.165	1650	460
DTP70.170	1700	440
DTP70.175	1750	420
DTP70.180	1800	400
DTP70.185	1850	380
DTP70.190	1900	360
DTP70.195	1950	340
DTP70.200	2000	320

MX-DTP 70 FULL-EXTRACT

The MX-DTP 70 fully extending rails offers very high load capacity. Depending on the length, it is fastened by 8 or 12 M8 threaded holes.

Extension length = installation length

Overall length = installation length + extension length

Other lengths on request

*Load per pair in extended position, even weight distribution and vertical installation.