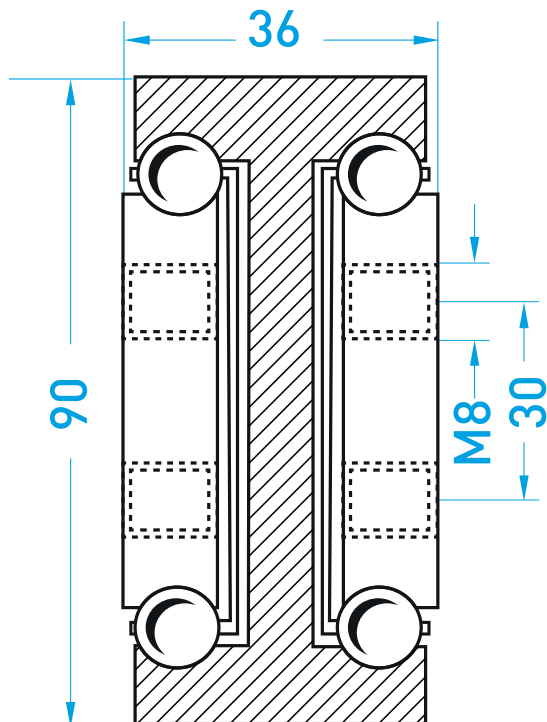


**MILUXOR****TELESKOPSCIENEN**

YOUR MANUFACTURER FOR TELESCOPIC RAILS FOR HEAVY LOADS

**MX-DTP 90****MX-DTP 90 load table**

Type: MX-DTP 90

Article-No. MX -DTP 90

Article No.	Installation length	Load in kg *
DTP90.060	600	700
DTP90.065	650	720
DTP90.070	700	740
DTP90.075	750	760
DTP90.080	800	780
DTP90.085	850	800
DTP90.090	900	820
DTP90.095	950	830
DTP90.100	1000	840
DTP90.105	1050	850
DTP90.110	1100	840
DTP90.115	1150	830
DTP90.120	1200	820
DTP90.125	1250	810
DTP90.130	1300	800
DTP90.135	1350	790
DTP90.140	1400	780
DTP90.145	1450	760
DTP90.150	1500	740
DTP90.155	1550	720
DTP90.160	1600	700
DTP90.165	1650	680
DTP90.170	1700	660
DTP90.175	1750	640
DTP90.180	1800	620
DTP90.185	1850	600
DTP90.190	1900	580
DTP90.195	1950	560
DTP90.200	2000	550

**MX-DTP 90 FULL-EXTRACT**

The MX-DTP 90 fully extending rails offers very high load capacity. The attachment is made by 12 threaded holes M8.

**Extension length = installation length**

**Overall length = installation length + extension length**

**Other lengths on request**

\*Load per pair in extended position, even weight distribution and vertical installation.