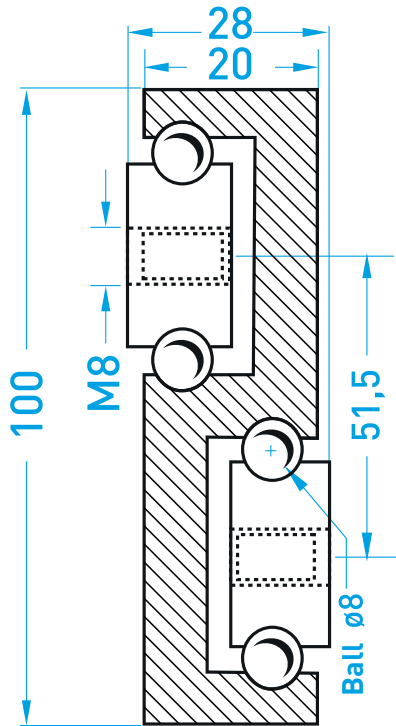


**MILUXOR****TELESKOPSCHienen**

YOUR MANUFACTURER FOR TELESCOPIC RAILS FOR HEAVY LOADS

**MX-S 100****MX-S 100 load table**

Type: MX-S 100

Article-No. MX -S 100

Article No.	Installation length	Load in kg *
S100.080	800	560
S100.085	850	580
S100.090	900	600
S100.095	950	620
S100.100	1000	650
S100.105	1050	660
S100.110	1100	660
S100.115	1150	650
S100.120	1200	640
S100.125	1250	620
S100.130	1300	600
S100.135	1350	580
S100.140	1400	560
S100.145	1450	540
S100.150	1500	520
S100.155	1550	500
S100.160	1600	480
S100.165	1650	460
S100.170	1700	440
S100.175	1750	420
S100.180	1800	400
S100.185	1850	380
S100.190	1900	360
S100.195	1950	340
S100.200	2000	320

**MX-S 100 FULL-EXTRACT**

The MX-S100 fully extending rails offers very high load capacity.

Depending on the length, it is fastened by 8 or 12 M8 threaded holes.

**Overall length = installation length + extension length**

\*Load per pair in extended position, even weight distribution and vertical installation.