

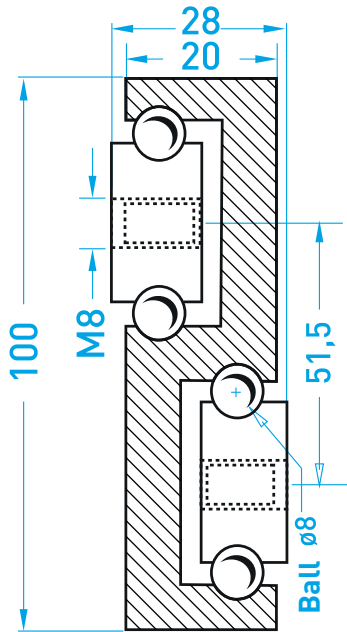
MILUXOR

TELESKOPSCHIENEN

YOUR MANUFACTURER FOR TELESCOPIC RAILS FOR HEAVY LOADS

MX-S 100

MX-S 100 Drilling pattern table



Article No.	Dimension A	Dimension B	Dimension C	Dimension D
S100.080	800	50	275	---
S100.085	850	50	300	---
S100.090	900	50	325	---
S100.095	950	50	350	---
S100.100	1000	50	375	---
S100.105	1050	50	400	---
S100.110	1100	50	425	---
S100.115	1150	50	450	---
S100.120	1200	50	475	---
S100.125	1250	50	500	---
S100.130	1300	50	525	---
S100.135	1350	50	550	---
S100.140	1400	50	575	---
S100.145	1450	50	600	---
S100.150	1500	50	625	---
S100.155	1550	50	650	---
S100.160	1600	50	675	---
S100.165	1650	50	700	---
S100.170	1700	100	650	---
S100.175	1750	100	675	---
S100.180	1800	100	700	---
S100.185	1850	100	725	---
S100.190	1900	100	750	---
S100.195	1950	100	775	---
S100.200	2000	100	800	---

