

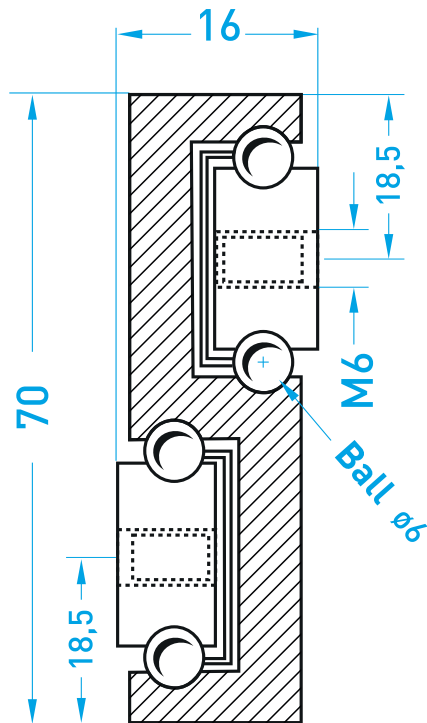
MILUXOR

TELESKOPSCHIENEN

YOUR MANUFACTURER FOR TELESCOPIC RAILS FOR HEAVY LOADS

MX-S 70

MX-S 70 Drilling pattern table



Article No.	Dimension A	Dimension B	Dimension C	Dimension D
S70.030	300	50	---	100
S70.035	350	50	---	150
S70.040	400	50	---	200
S70.045	450	50	---	250
S70.050	500	50	125	---
S70.055	550	50	150	---
S70.060	600	50	175	---
S70.065	650	50	200	---
S70.070	700	50	225	---
S70.075	750	50	250	---
S70.080	800	50	275	---
S70.085	850	50	300	---
S70.090	900	50	325	---
S70.095	950	50 </td <td>350</td> <td>---</td>	350	---
S70.100	1000	50	375	---

